

# Tondo orientabile - Round adjustable

## P.80

- Materiale - Material**  
Corpo in poliammide, Lente in policarbonato  
Polyamide body, Polycarbonate lens
- Colore - Colour**  
secondo codice - according to item code
- Pezzi confezione - Package items**  
50 pezzi - pieces
- Volume confezione - Package volume**  
24,3 dm<sup>3</sup>
- Peso confezione - Package weight**  
secondo codice - according to item code
- Intensità luminosa - Light intensity**  
vedi sez. tecnica - see technical section
- Temp. di esercizio - Working temp.**  
-10/+120 °C
- Normative - Norms**  
R107.8; R118.3; FMVSS 302; ISO 3795; REACH; ROHS; CMR.  
More info on page D2-D3 and website on "Directives and regulations" area.

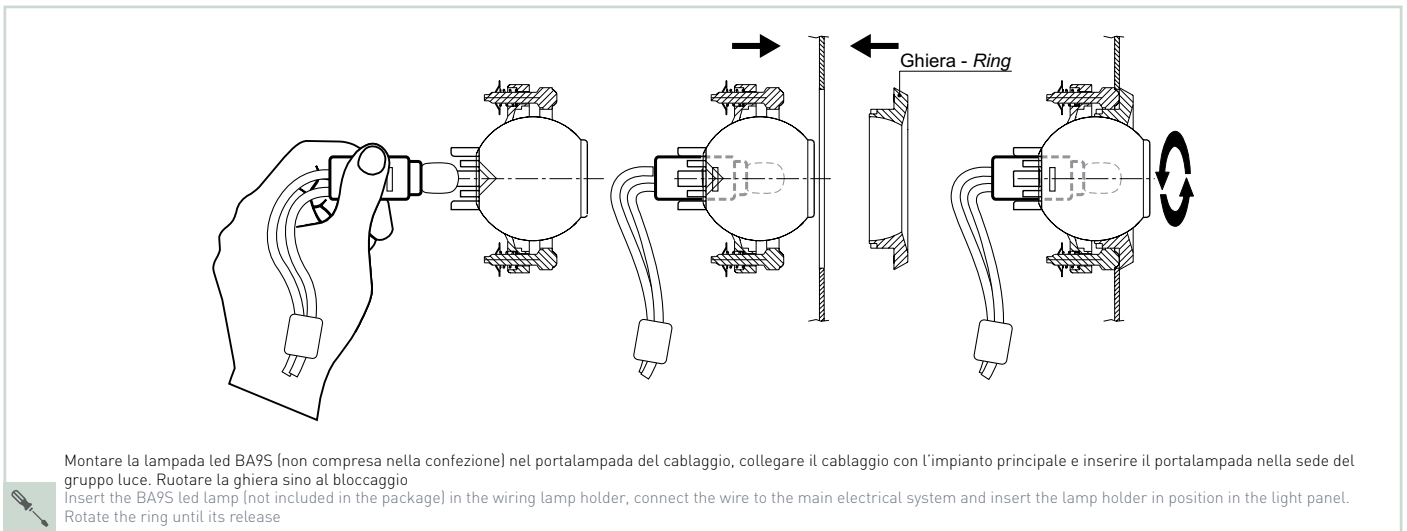
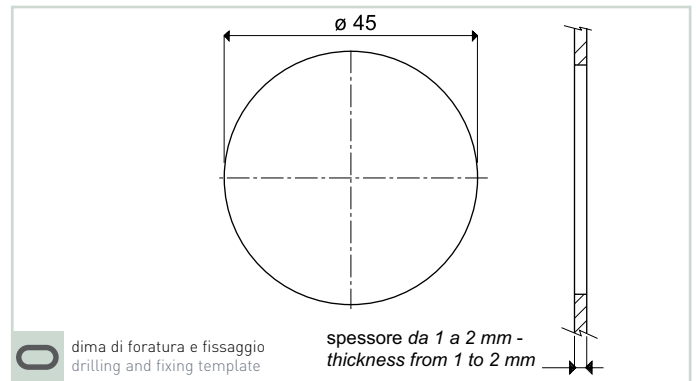
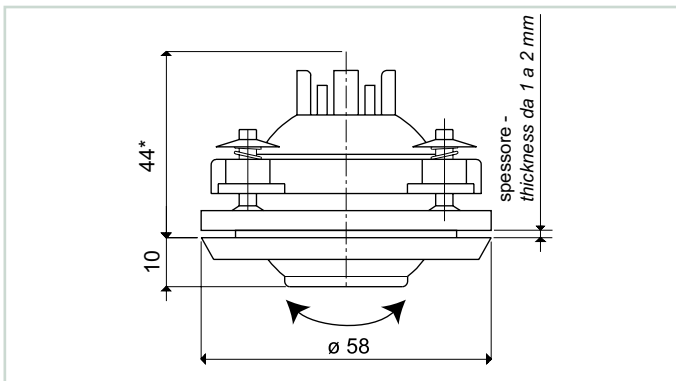


## P.80

Cod.	Colore - Color		
61161	Nero - Black	BA9 S (not included)	included
51830*	Nero - Black	BA9 S (not included)	included*
65721	Nero - Black	BA9 S (not included)	not included
66988	Bianco - White	BA9 S (not included)	included

\* il cablaggio del cod.51830 alimenta contemporaneamente 2 gruppi luce - wiring of code 51830 feeds simultaneously 2 light groups

## P.80



### Test intensità luminosa - Light intensity test

