



Tondo orientabile - Round adjustable

P.163

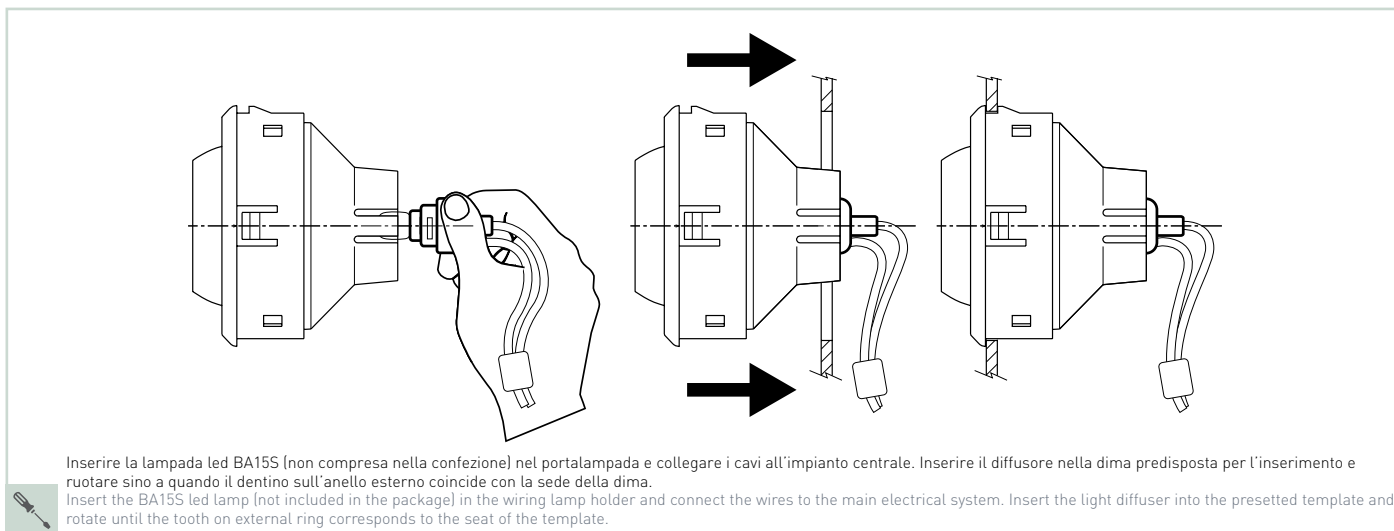
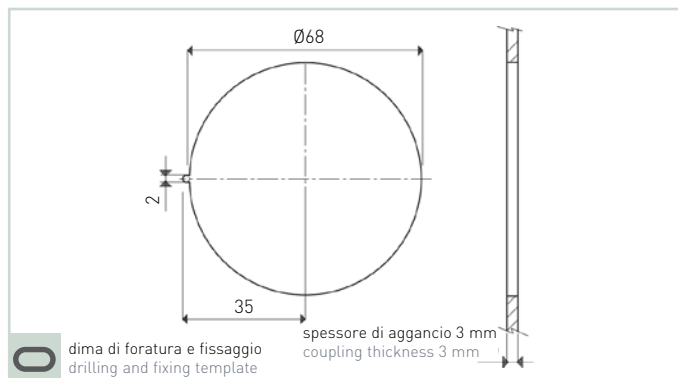
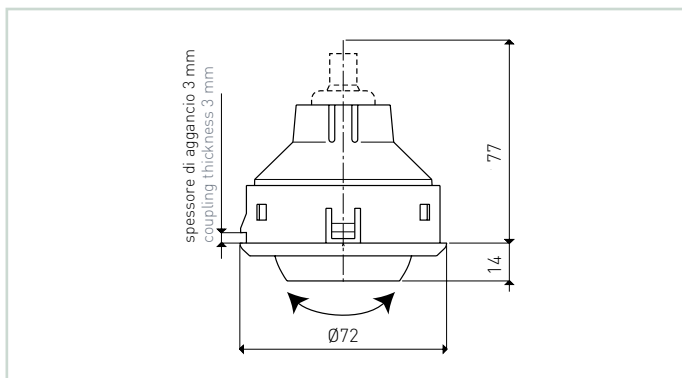
-  **Materiale - Material**
Corpo in poliammide, Lente in policarbonato
Polyamide body, Polycarbonate lens
-  **Colore - Colour**
secondo codice - according to item code
-  **Pezzi confezione - Package items**
50 pezzi - pieces
-  **Volume confezione - Package volume**
24,3 dm³
-  **Peso confezione - Package weight**
5.400 g
-  **Intensità luminosa - Light intensity**
vedi sez. tecnica - see technical section
-  **Temp. di esercizio - Working temp.**
-10/+120 °C
-  **Normative - Norms**
R107.8; R118.3; FMVSS 302; ISO 3795; REACH; ROHS; CMR.
More info on page D2-D3 and website on "Directives and regulations" area.



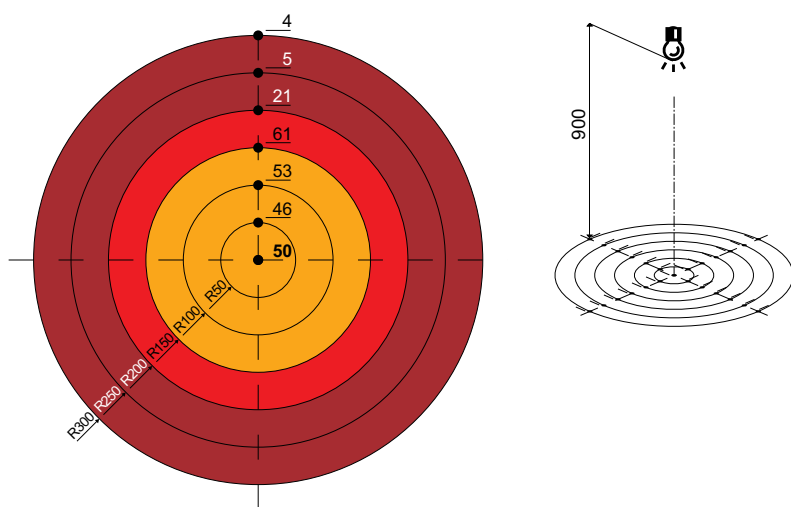
P.163

Cod.	Colore - Color		
64597	Nero - Black	BA 15 S (not included)	included
69915	Grigio - Grey RAL 7012	BA 15 S (not included)	not included

P.163



■ Test intensità luminosa - Light intensity test



Test con lampadina a led BA15S e alimentazione 24V D.C.
 Test with led BA15S lamp and power supply 24V D.C.

oltre - over 100 lux	da - from 80 a - to 100 lux	da - from 60 a - to 80 lux	da - from 50 a - to 60 lux	da - from 30 a - to 50 lux	da - from 10 a - to 30 lux	da - from 0 a - to 10 lux